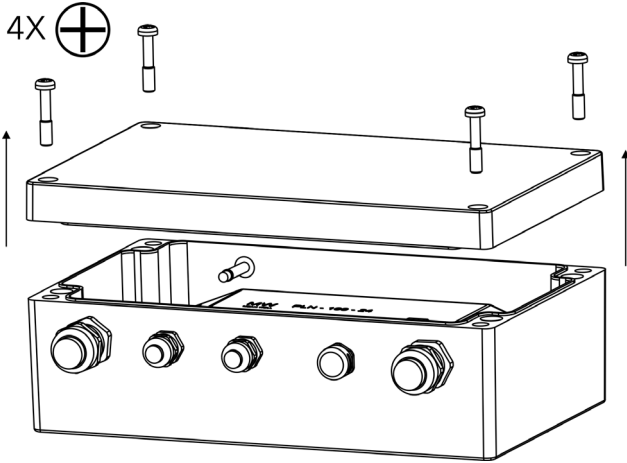




Fixture must be installed by a qualified electrician in accordance with all national and local electrical and construction codes and regulations. This device falls under class one and must be grounded!



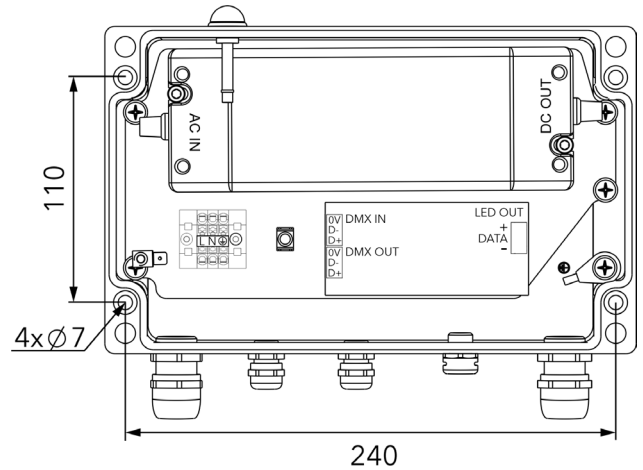
STEP 1 OPEN BOX



Uncover SubDrive

STEP 2 INSTALL HOUSING

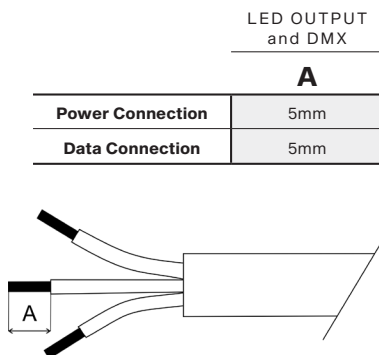
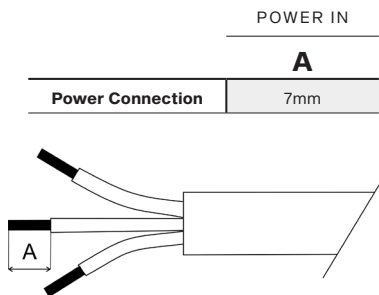
Use fasteners that are appropriate for use with your mounting surface.



Drill holes to the surface according to holes spacing. Mount Subdrive via mounting holes to the surface.

STEP 3 CONNECTION

1 Strip these lengths for cable connections



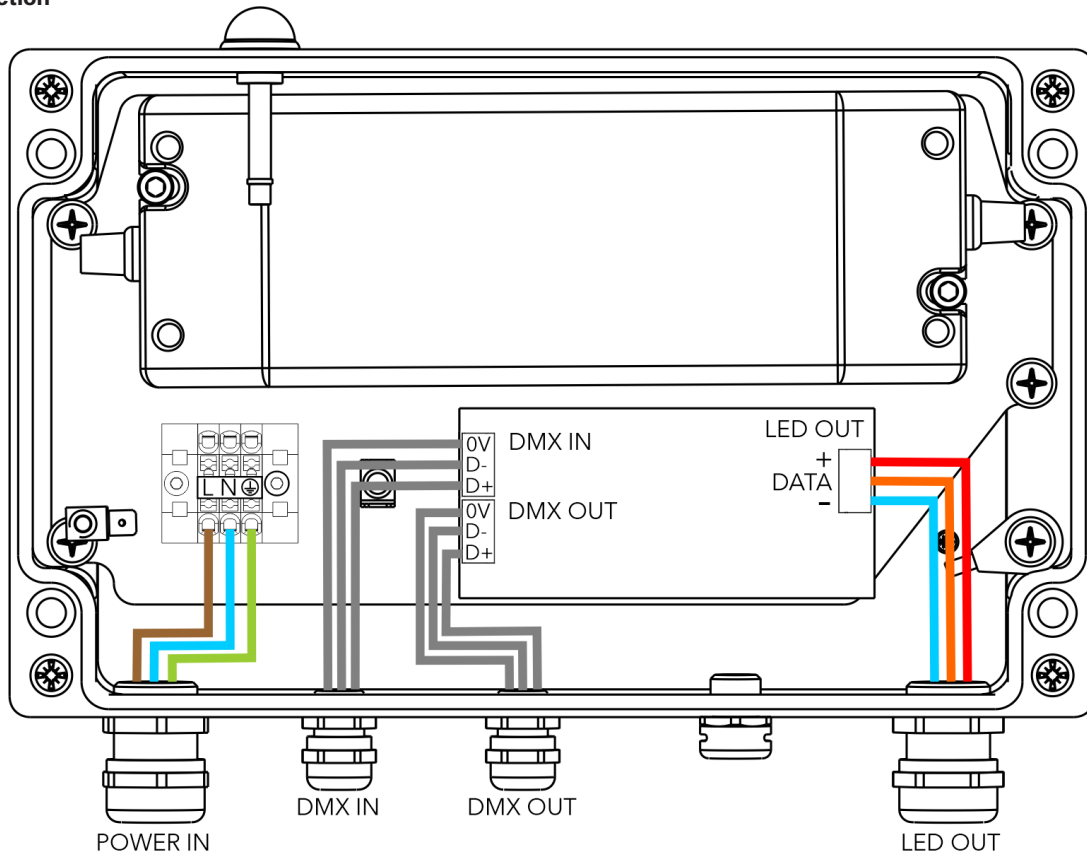
2 Connection – colour coding

	Power Connection - Power IN		
	L	N	GROUND
Core (EU)	Brown	Blue	Green/Yellow
Core (US)	Black	White	Green

DMX CONNECTION		
0V	D-	D+
Data Ground	Data -	Data +

Cable CE/US Leader - LED Output	
WIRE	DATA AND POWER CONNECTION
Red	+
Orange	Data
Blue	-

3 Wiring connection

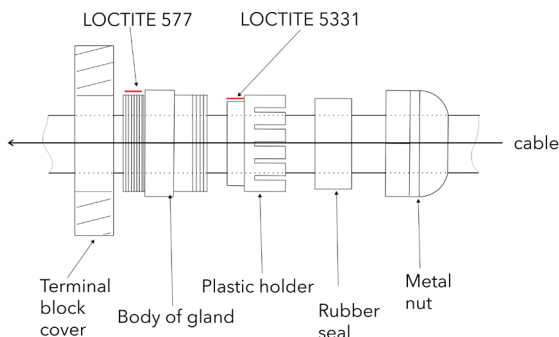


For Data and Power - EU color code shown

STEP 4
CABLE GLAND INSTALLATION

Use wrench size 24 for cable gland M20x1.5
Use wrench size 16 for cable gland M12x1.5

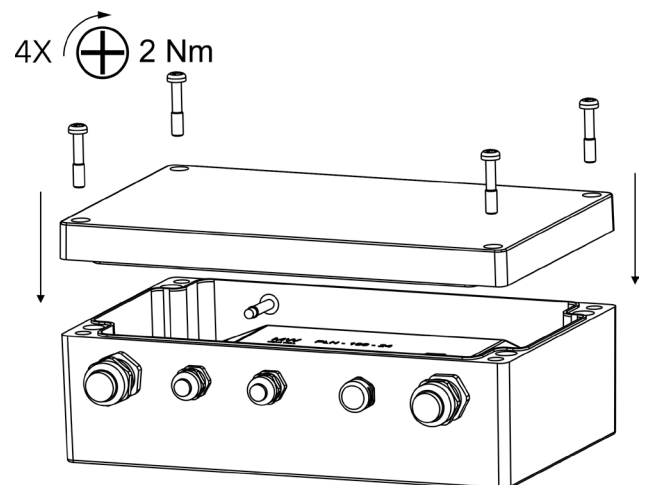
Install Cable glands individually!



We recommend to apply an adequate layer of the paste LOCTITE 5331 on the plastic holder of the cable gland before inserting in into the body of the gland and an adequate layer of the paste LOCTITE 577 on the thread of the gland body.

Failure to properly install cable glands will result in failure of the water tight seal!

STEP 5
CLOSE BOX



Install top cover making sure the gasket is in good condition and is positioned properly in the groove. Before applying the torque, make sure the thread is clean and functional.